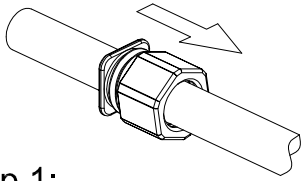
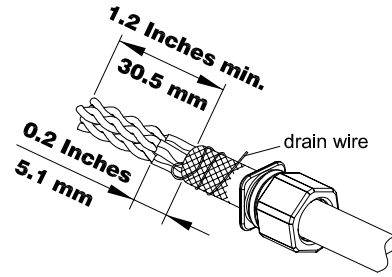


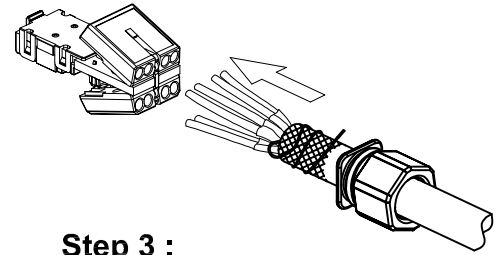
# Instruction Sheet



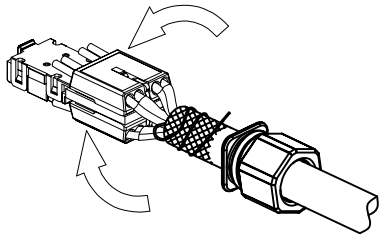
**Step 1:**  
Put cable through the Nut.  
(OD:6~8mm;23~26AWG)



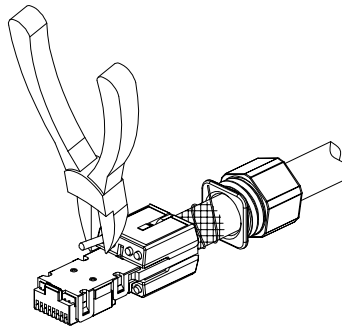
**Step 2 :**  
① Strip off cable jacket for at least 1.2 Inches and retain a 0.2 Inches foil from cable end.  
② Back cover the braid then wrap the drain wire on it.



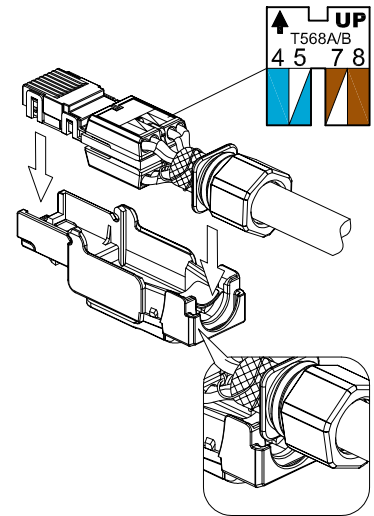
**Step 3 :**  
Put wires through wiring management in accordance with wiring color code.



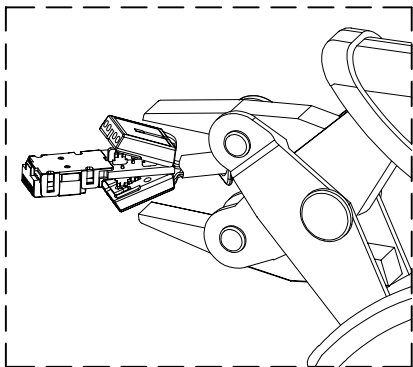
**Step 4 :**  
Press wiring management to terminate wires.



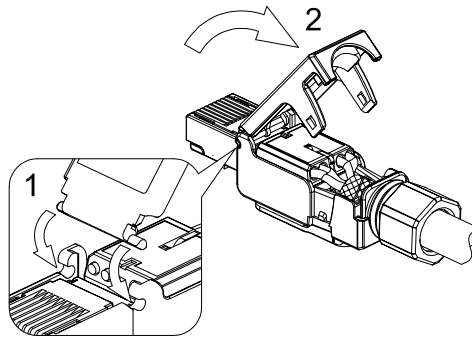
**Step 5 :**  
Trim excess wires.



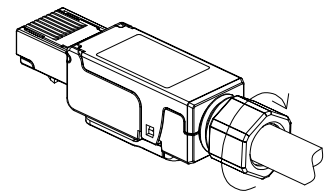
**Step 6 :**  
Assemble the wiring management ("UP" on the top surface) into the groove of base housing, and locate the nut in the indicated slot.



Or either by tool.

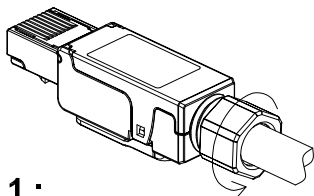


**Step 7 :**  
1.Put cover into revolving groove.  
2.Then press the cover to engage with base housing.

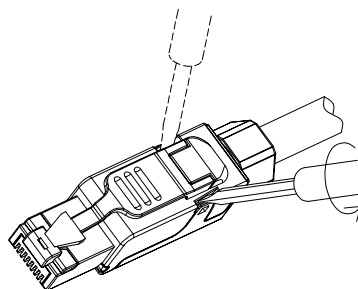


**Step 8 :**  
Lock and tight the nut.

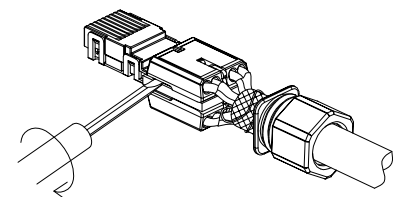
## Disassembly Instruction:



**Step 1 :**  
Unlock the nut.



**Step 2 :**  
Insert the slotted screwdriver into the slot and rotate to open the jaws.



**Step 3 :**  
Insert the slotted screwdriver into the slot and rotate to open the wiring Management.